

NEW

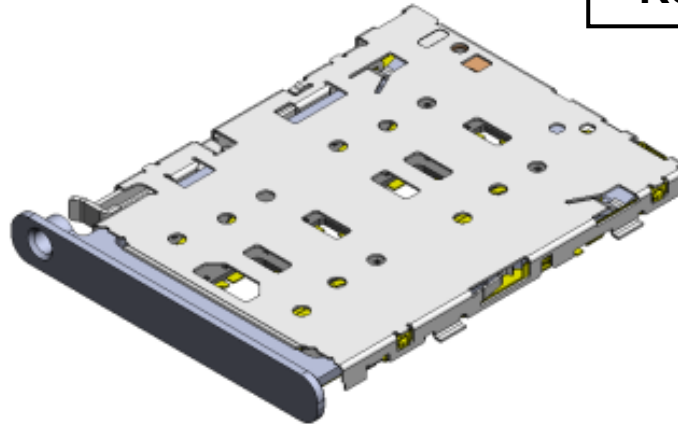


Dual nano SIM Card Connector

SF78 Series

CONNECTOR
MB-0318-1
May 2017

RoHS Compliant



<<Outline>>

For mobile devices with communication capabilities such as feature phones, smartphones, and mobile routers, a SIM card is required, and recently mobile devices which can hold two SIM cards are increasing.

Furthermore, the cards being adopted are shifting from micro SIM cards to smaller nano SIM (4FF) cards.

The SF78 Series is a push-eject tray type dual nano SIM card connector which can install two nano SIM cards.

(SIM: Subscriber Identify Module)

Features

- Compact and slim design --- 1.3mm height, 17.5mm width, 21.4mm depth
- 2 nano SIM cards can be installed in one connector
- Card mating condition --- With card detection switch (normally-closed types)
- Contact buckling prevention structure that prevents deformation of the contacts even if an empty card adapter is inserted
- Mechanical lock structure that holds tray in place in case device is dropped
- Tray mis-insertion countermeasure to prevent insertion of tray upside down.
- Compatible with nano SIM Cards that are manually cut to size by user

General Specifications

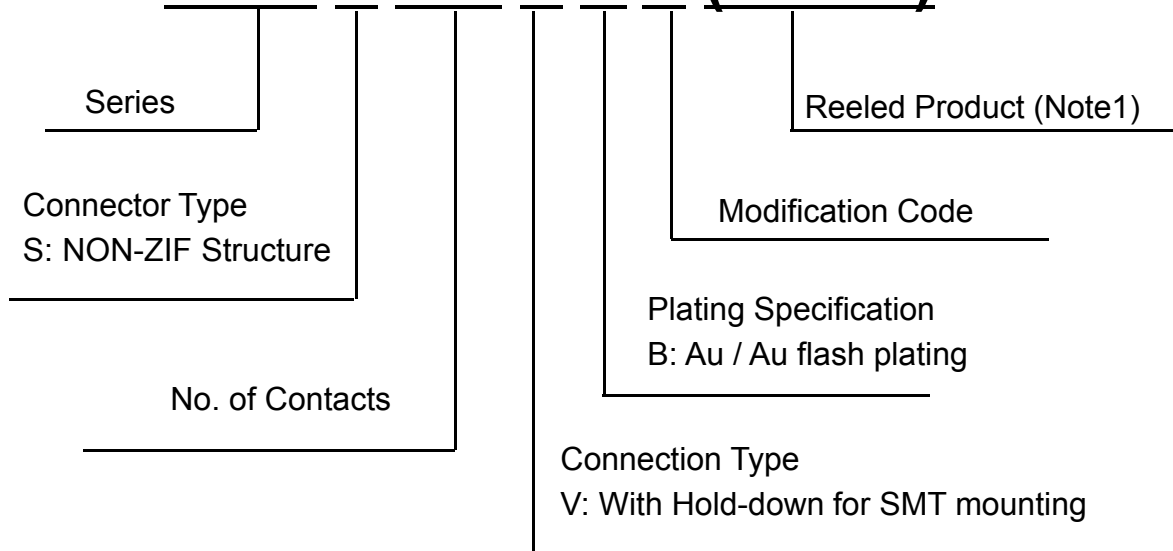
- | | |
|--|----------------------------------|
| ■ No. of Contacts: 12 pos. | ■ Rated Current: 0.5A / terminal |
| ■ Contact Resistance: 100mΩ max.(initial) | ■ Rated Voltage: 10V / terminal |
| ■ Dielectric Withstanding Voltage:
AC500Vr.m.s for 1 minute | ■ Lifetime: 2,500 times |
| ■ Operating Temperature: -40 Deg. C to +85 Deg. C | |

Materials and Finishes

Components	Material	Finish
Signal Contact	Copper Alloy	Au plating over Ni (Contact area) Au plating over Ni (Terminal area)
Housing	Synthetic Resin	
Cover	Stainless Steel	Au plating over Ni (Terminal area)
Detection Switch	Copper Alloy	Au plating over Ni (Contact area) Au plating over Ni (Terminal area)
Eject Bar	Stainless Steel	
Eject Lever	Stainless Steel	

Ordering Information

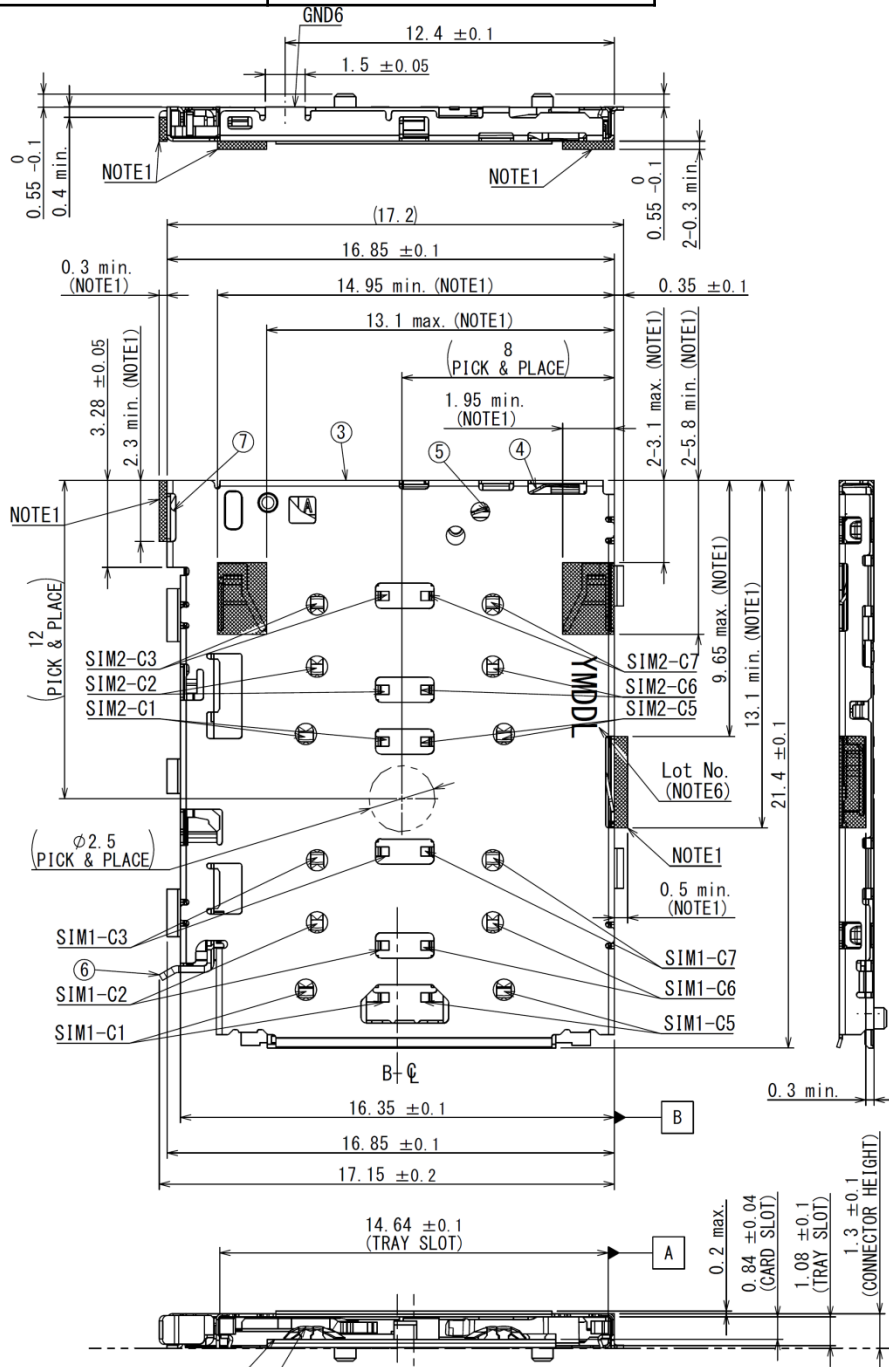
SF78 S 012 V B A (R1400)



Note 1: An embossed tape reel contains 1,400 pieces.

For embossed taping specifications, please contact us directly.

Part Number	Drawing No.
SF78S012VBA	SJ117282



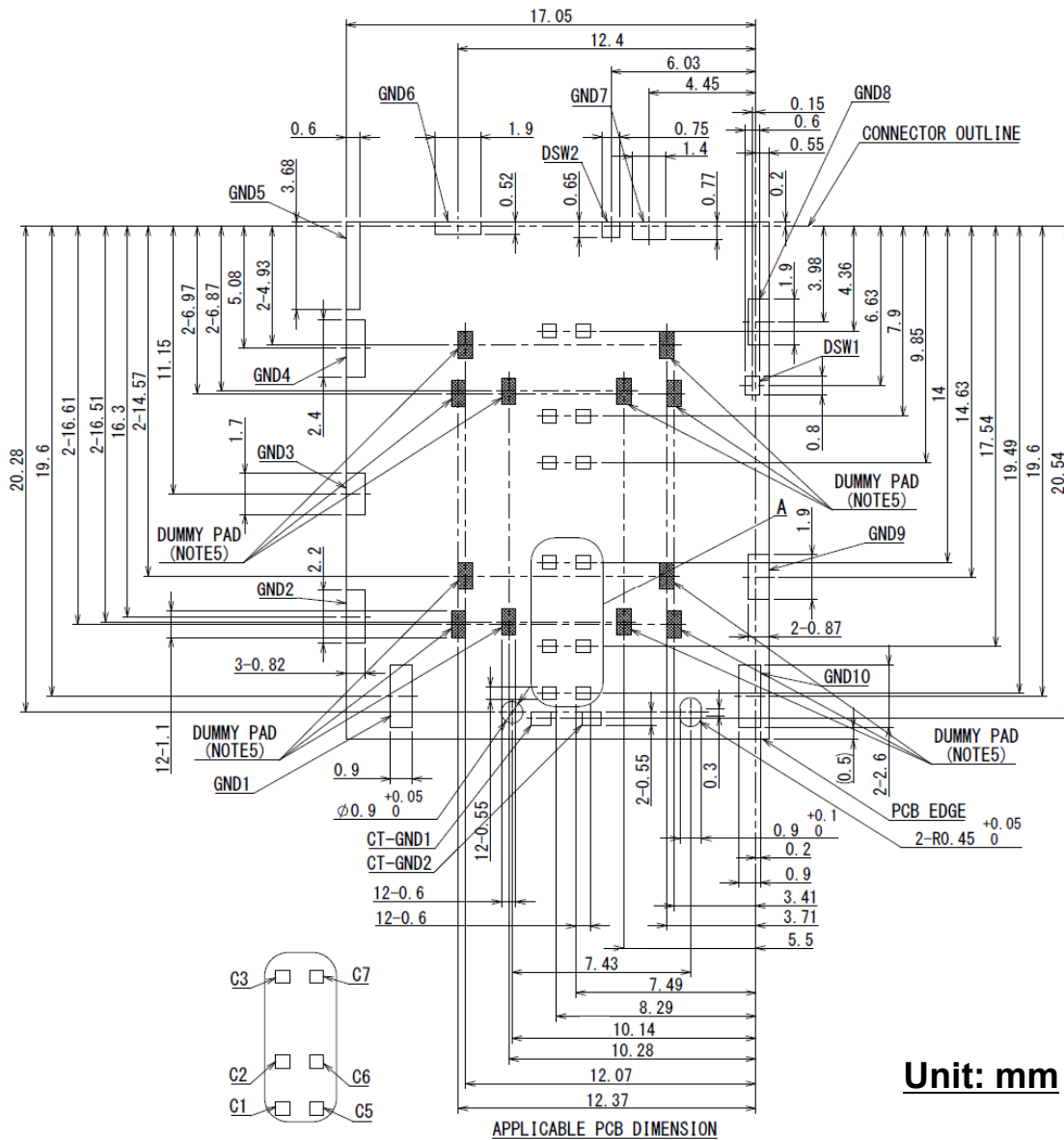
NOTE1. OTHER COMPONENTS CANNOT TOUCH OR REST ON THIS AREA.
 NOTE6. LOT INFORMATION IS SHOWN AS BELOW.
 i.e. 5 Y 1 8 1

Unit: mm

PRODUCT LINE No.
 PRODUCTION DATE (YMDD)

符号 NO.	名称 DESCRIPTION	数量 QTY.	材料 MATERIAL	仕上 FINISH	備考 REMARKS
7	EJECT LEVER	1	STAINLESS	-	
6	EJECT BAR	1	STAINLESS	-	
5	DETECTION SWITCH2 (DSW2)	1	COPPER ALLOY	TABLE 3	
4	DETECTION SWITCH1 (DSW1)	1	COPPER ALLOY	TABLE 3	
3	COVER FRAME	1	STAINLESS	TABLE 3	
2	HOUSING	1	LCP	-	
1	CONTACT	12	COPPER ALLOY	TABLE 3	

Note) The drawing above is for reference only.
 Please refer to our latest product drawing when using this product.



Unit: mm

- NOTE5. DUMMY PAD SHOULD BE ELECTRICALLY ISOLATED.
 (No connection to GND on something else)
 SHOULD NOT SOLDER ON THIS PAD.
 (No solder on this PAD)
- NOTE5. RECOMMENDED OPEN APERTURE RATIO OF STENCIL MASK : 100%

Applicable PWB Dimension

TABLE. 1
SWITCH CIRCUIT

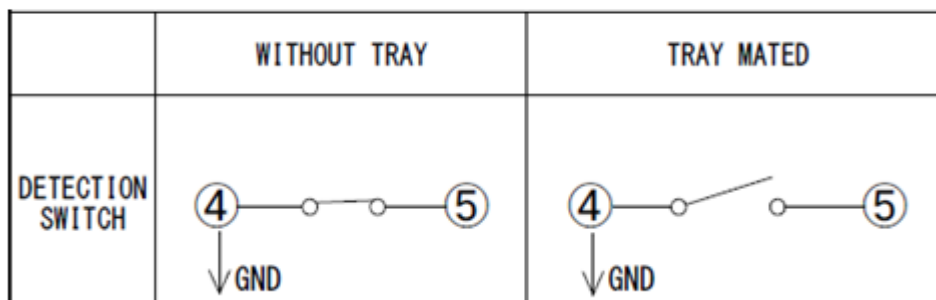
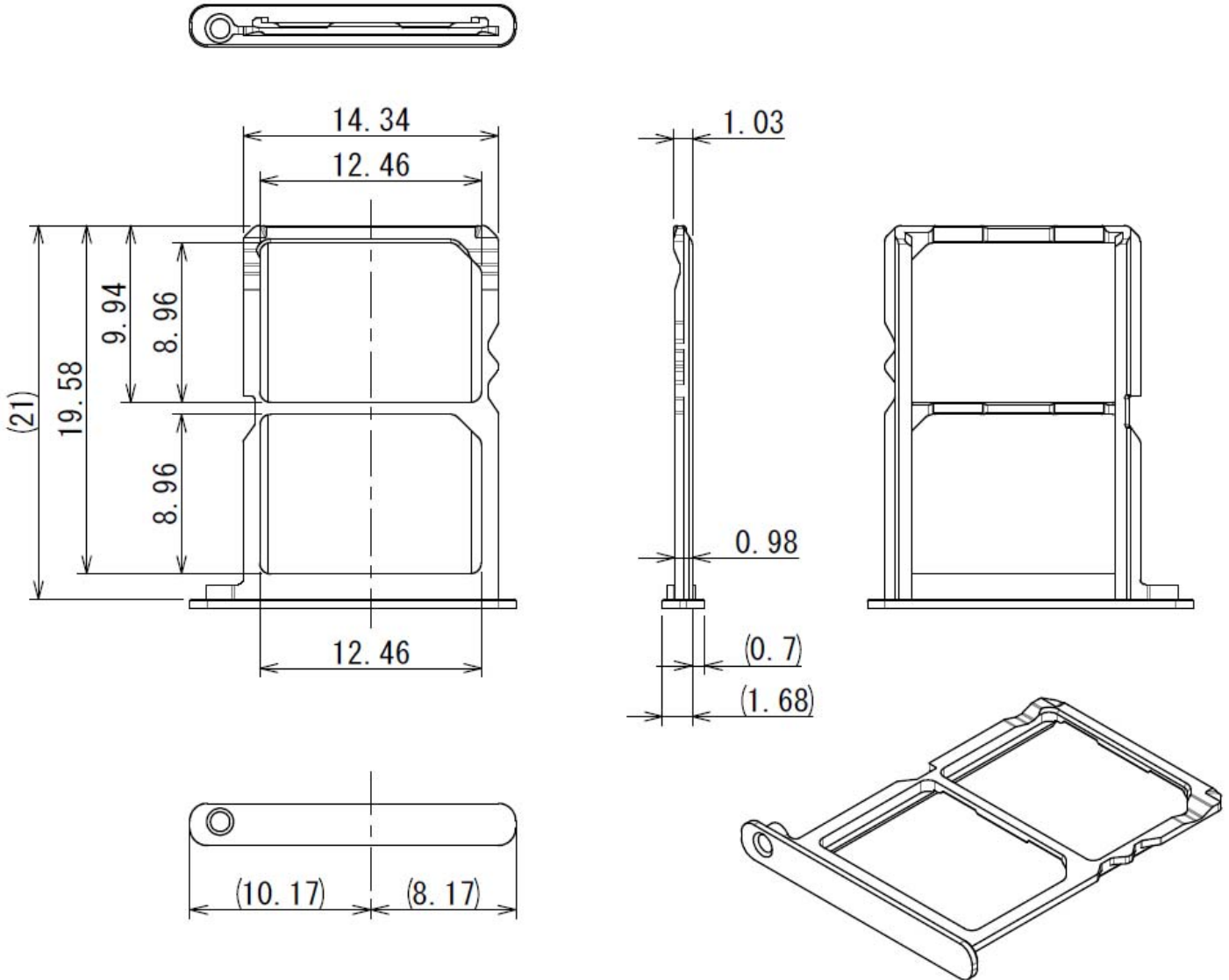


TABLE. 2
PIN ASSIGNMENT

C1	Vcc
C2	RST
C3	CLK
C5	GND
C6	Vpp
C7	I/O

**Note) The drawing above is for reference only.
 Please refer to our latest product drawing when using this product.**

Recommended Tray



Unit: mm

Note 1: Above are recommended dimensions for tray which should be designed and manufactured by customers.

Note 2: The drawing above is for reference only.
Please refer to our latest product drawing when using this product.

Technical Documents

Part Number	SF78S012VBA
Drawing	Individual Product: SJ117282 Reeled Product: SJ117283
Specifications	JACS-11140
Handling Instructions	JAHL-11140

Notice:

1. The values specified in this brochure are only for reference. The products and their specifications are subject to change without notice. Contact our sales staff for further information before considering or ordering any of our products. For purchase, a product specification must be agreed upon.

2. Users are requested to provide protection circuits and redundancy circuits to ensure safety of the equipment, and sufficiently review the suitability of JAE's products to the equipment.

3. The products presented in this brochure are designed for the uses recommended below. We strongly suggest you contact our sales staff when considering use of any of the products in any other way than the recommended applications or for a specific use that requires an extremely high reliability.

(1) Applications that require consultation:

(i) Please contact us if you are considering use involving a quality assurance program that you specify or that is peculiar to the industry, such as:

Automotive electrical components, train control, telecommunications devices (mainline), traffic light control, electric power, combustion control, fire prevention or security systems, disaster prevention equipment, etc.

(ii) We may separately give you our support with a quality assurance program that you specify, when you think of a use such as :

Aviation or space equipment, submarine repeaters, nuclear power control systems, medical equipment for life support, etc.

(2) Recommended applications include:

Computers, office appliances, telecommunications devices (terminals, mobile units), measuring equipment, audiovisual equipment, home electric appliances, factory automation equipment, etc.

Japan Aviation Electronics Industry, Limited

Product Marketing Division

Aobadai Building, 3-1-19, Aobadai, Meguro-ku, Tokyo 153-8539

Phone: +81-3-3780-2882 FAX: +81-3-3780-2946

* The specifications in this brochure are subject to change without notice. Please contact JAE for information.

Mouser Electronics

Authorized Distributor

Click to View Pricing, Inventory, Delivery & Lifecycle Information:

[JAE Electronics:](#)

[SF78S012VBAR1400](#)